



---

# *Lacta'Box*

Specific Secured Fridge for Human Milk Bank  
To Store and Manage Baby's Bottles

# LACTA'BOX

---

LACTA'BOX is the first secured fridge or freezer for milk bank.  
AccsA'tech has designed it. (Made in France)

Traceability is optimized from storage to baby's bottle delivery through integrated software (optional) which traces all actions made.

For you, a safe handling, a high work quality and productivity gain.

Lacta'Box helps you to optimize your milk bank storage & management.



Refrigerated modules from 530 L to 2100 L, from +5°C up to -25°C, meets standards certification COFRAC NFX 15.140 (Optional double temperature available)



Storage optimization with ventilated sliding racks (ø65)



Two probes - air and glycerol



Temperatures and control management in real time





Touch screen, from the latest technology ,with an easy to use software



Inventory in real time and tracking deliveries



Bare code reader, identification and tracking of your bottles or your baskets



Electronic lock for more safety

## Safe and Guaranteed Traceability





## Optional - Milk bank's management

---

Our integrated software allows you to trace and optimize the storage of your baby bottles from storage to delivery.

Each action made is filled in; then you have a global history and complete statistics of your milk bank.

Our application can support a large number of refrigerators, freezers and cold rooms, on one or multiple sites.



**Scalable, Simple and Intuitive Software**

---

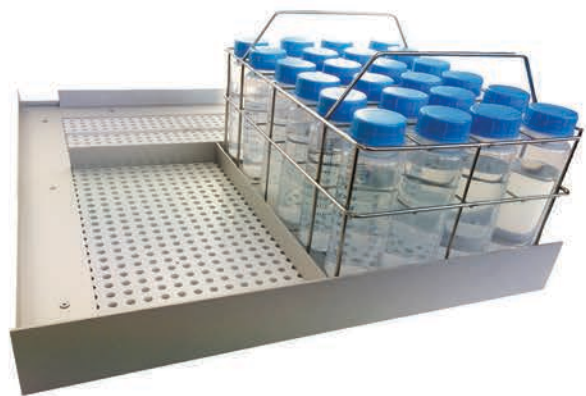


# Lacta'Box module and Specifics Sliding Racks

---



For baby bottles on ventilated sliding racks



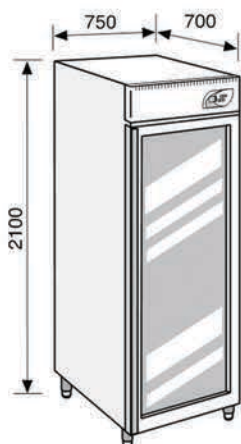
For basket with baby bottles on ventilated sliding racks

## Identified racks with geolocation

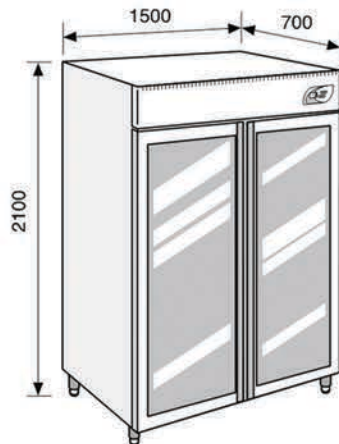




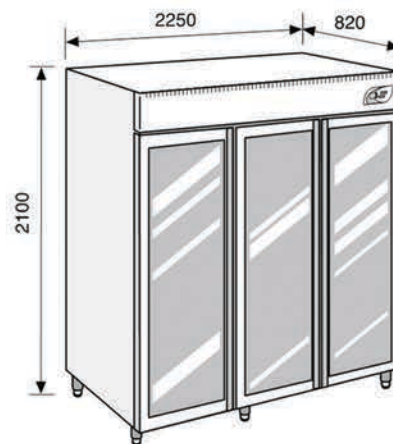
# LACTA'BOX Simple Temperatures



**LB LF 625**



**LB LF 1365**



**LB LF 2100**

Basket with 24 bottles

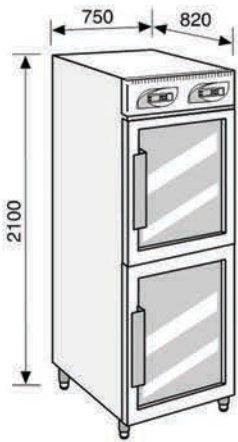
	<b>LB LF 625</b>	<b>LB LF 1365</b>	<b>LB LF 2100</b>
Volume	625 L	1365 L	2100 L
Temperatures	+5° to -40°C	+5° to -30°C	+5° to -25°C
Dimensions H x L x P mm	2100 x 750 x 700	2100 x 1500 x 700	2100 x 2250 x 820
Number of racks by unit	5	10	15
Number of baskets / racks - 24 bottles/basket	15	30	45
Number of bottles by unit	360	720	1 080

Baby bottles on racks

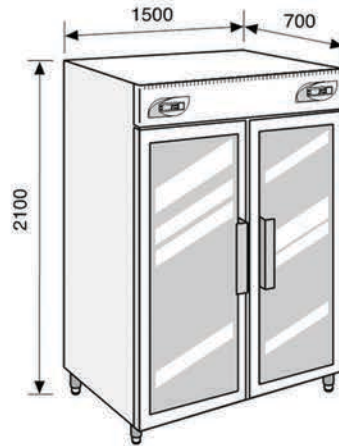
	<b>LB LF 625</b>	<b>LB LF 1365</b>	<b>LB LF 2100</b>
Volume	625 L	1365 L	2100 L
Temperatures	+5° to -40°C	+5° to -30°C	+5° to -25°C
Dimensions H x L x P mm	2100 x 750 x 700	2100 x 1500 x 700	2100 x 2250 x 820
Number of racks by unit - bottle H10cm Ø65	10	20	30
Number of bottles / racks H10 Ø65: 64 bottles	640	1280	1920
Number of trays by unit - bottles H15cm Ø65	8	16	24
Number of bottle / racks H15 Ø65: 64 bottles	512	1024	1536



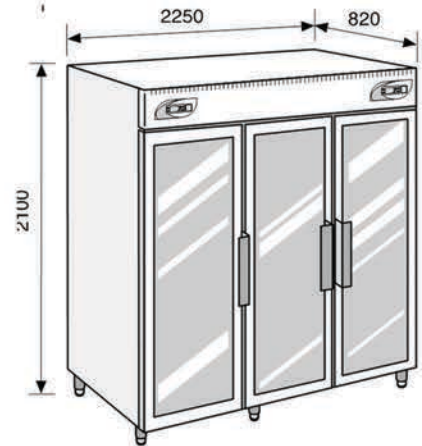
# LACTA'BOX Doubles Temperatures



**LB LCRF 625**



**LB LCRF 1365**



**LB LCRF 2100**

Basket with 24 bottles

	LB LCRF 625		LB LCRF 1365		LB LCRF 2100	
Volume	625 L		1365 L		2100 L	
Temperatures	+5° to -40°C		+5° to -30°C		+5° to -25°C	
Dimensions H x L x P mm	2100 x 750 x 700		2100 x 1500 x 700		2100 x 2250 x 820	
Number of racks by unit	4		10		15	
	2 to +5°C	2 to -25°C	5 to +5°C	5 to -25°C	5 to +5°C	10 to -25°C
Number of basket / racks - 24 Bottles/baskets	12		30		45	
Numbers of bottles by unit	360		720		1 080	

Baby bottle on racks

	LB LCRF 625		LB LCRF 1365		LB LCRF 2100	
Volume	625 L		1365 L		2100 L	
Temperatures	+5° to -40°C		+5° to -30°C		+5° to -25°C	
Dimensions H x L x P mm	2100 x 750 x 700		2100 x 1500 x 700		2100 x 2250 x 820	
Number of racks by unit - bottle H10cm Ø65	10		20		30	
	5 to +5°C	5 to -25°C	10 to +5°C	10 to -25°C	10 to +5°C	20 to -25°C
Number of bottles / racks H10cm Ø65: 64 bottles	320	320	640	640	640	1280
Number of racks by unit - bottle H15cm Ø65	8		20		30	
	4 to +5°C	4 to -25°C	10 to +5°C	10 to -25°C	10 to +5°C	20 to -25°C
Number of bottle / racks H15cm Ø65: 64 bottles	256	256	640	640	640	1280





[www.lacta-box.com](http://www.lacta-box.com)  
[www.accsa-tech.com](http://www.accsa-tech.com)  
[info@accsa-tech.com](mailto:info@accsa-tech.com)

